

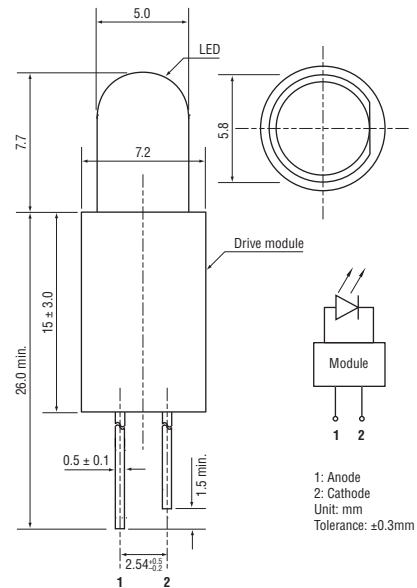
Features:

- High luminous LEDs
- 5mm Round standard directivity
- Superior weather-resistance
- UV Resistant epoxy
- Use 0.8 to 1.6V DC Drive
(such as AA or AAA size battery)
- Cost effective (saves space and battery costs)
- Water clear type

Applications:

- Flashlight
- Other lighting

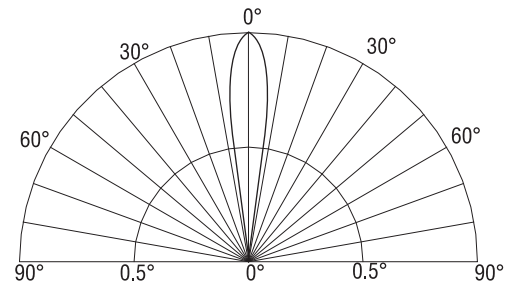
Outline dimensions:



Absolute maximum ratings (Ta = 25°C)

Item	Symbol	Value	Unit
DC Forward voltage	V _F	1.5	V
DC Forward current (input)	I _F	114	mA
Power dissipation	P _D	171	mW
Operating temperature	T _{opr}	-30 to +85	°C
Storage temperature	T _{stg}	-30 to +85	°C
Lead soldering temperature	T _{sol}	260°C/5 sec	-

Directivity:



Electrical – Optical characteristics (Ta = 25°C)

Order code	Colour		I _F (mA)			I _v (mcd)*			λ _D (nm)†			2θ _{1/2} (deg)
			Input	In LED		Min.	Typ.	Max.	Min.	Typ.	Max.	Typ.
				Min.	Max.							
			V _F = 1.2V			V _F = 1.2V						
55-2800	Pure White	W	64 ± 10	16	22	20000	22000	-	X + 0.31, Y = 0.33			15
55-2802	Cool White	W	64 ± 10	16	22	22000	25000	-	X + 0.27, Y = 0.28			15
55-2804	Warm White	M	64 ± 10	16	22	18000	20000	-	X + 0.45, Y = 0.41			15
55-2806	Blue	B	64 ± 10	16	22	7000	8400	-	465	470	475	15
55-2808	Pure Green	G	64 ± 10	16	22	22000	25000	-	520	525	530	15
55-2810	Yellow	Y	76 ± 10	15	20	20000	22000	-	585	590	595	15
55-2812	Red	R	76 ± 10	15	20	20000	22000	-	620	625	630	15

* Tolerance of chromaticity coordinates is ±10%

† Tolerance of luminous intensity is ±15%